

**KENNEDY VALVE KS-RW
RESILIENT
WEDGE VALVES**

KENNEDY VALVE

**KENNEDY VALVE AWWA C515 Resilient Wedge Gate Valves
Meet or Exceed the Requirements of
AWWA Standard C515
UL-262/FM-1120/1130
ULC-Underwriters' of Canada**

Size Range	Water Working Pressure psi	Seat Test psi	Hydrostatic Shell Test psi
AWWA 2"-12"	250 Water Works	250 & 400	500
ULFM 2 1/2"-12"	200 Fire Protection	250 & 400	500

Available in either non-rising stem or outside screw & yoke.

Available End Connections & Size Range	Figure No.	Figure No. with (STD)	Post Plate
Fig. End (NRS)	2" - 12"	7561SS	7701SS (3" - 12")
M.J.	2" - 12" (except 2 1/2")	7571SS	7071SS (3" - 12")
Fig. & M.J.	3" - 12"	7572SS	7072SS (3" - 12")
Push-on for PVC (SDR)	2" - 8"	7597SS	7597PSS (3" - 8")
Fig. End (OS & Y)	2" - 12"	7068A	N/A
M.J. for Tapping	4" - 12"	7950SS	7950PSS
Push-on for D.I. & C900 PVC	4" - 12"	7901SS	7901PSS
M.J. Cutting-in	4" - 12"	7576SS	(Consult K.V.)
Push-on D.I. X Flg.	4" - 12"	7902SS	7902PSS
Threaded	2" - 3"	7057SS	7057PSS (3" only)
FLG & GRV OS&Y	2 1/2" - 10"	7092ABF	-----
GRV & GRV OS&Y	2 1/2" - 10"	7093ABF	-----
FLG & GRV NRS	2 1/2" - 10"	7592ABF	7592PABF
GRV & GRV NRS	2 1/2" - 10"	7593ABF	7593PABF

Accessories

- | | |
|-------------------------------|-----------------|
| Indicator Posts | Handwheels |
| "T" Handles | Extension Stems |
| Stem Guides | Floor Boxes |
| 2" Sq. Operating Nuts | Chain Wheels |
| Floorstands (non-rising stem) | |

2" size not UL Listed

NOTE: All RSGV's 18" and larger will be furnished with either spur gearing (vertical) or bevel gearing (horizontal)

NOTE: 2" to 3" sizes full wall ductile iron (per AWWA C509 dimensions)



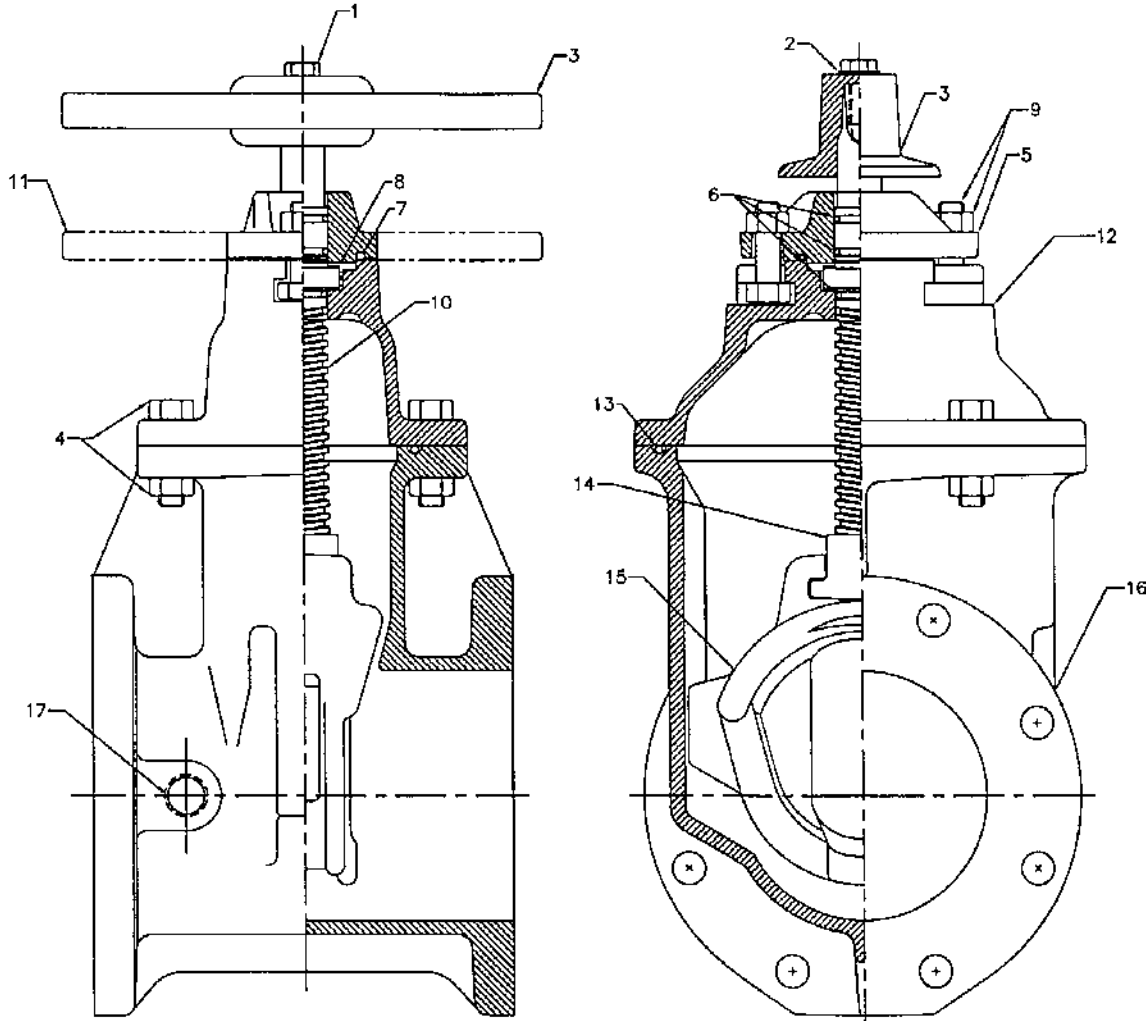
Sizes 2" - 12"



2" - 12" R/S VALVE NRS MATERIAL LIST

KENNEDY VALVE MODEL KS-RW

Complies with applicable requirements of AWWA C515



ITEM	DESCRIPTION	MATERIAL	ASTM SPEC.
1	Hex Head Bolt	Stainless Steel	ASTM F593C
2	Flat Washer	Stainless Steel	ASTM F593C
3	Operating Nut or Handwheel	Gray Iron	ASTM A126 Class B
4	Hex Head Bolts & Nuts	Stainless Steel	ASTM F593/F594
5	Stuffing Box	2-3" Gray Iron 4-12" Ductile Iron	ASTM A126 Class B ASTM A536 70-50-5
6	Stem O-Ring	Buna N	-----
7	Stuffing Box O-Ring/gasket	Buna N	-----
8	Thrust Washer Bearing	Delrin	-----
9	Hex Head Bolts & Nuts	Stainless Steel	ASTM F593C/F594
10	Stem	Bronze	ASTM B584 C86700
11	Indicator Post Plate (Optional 3-12")	Ductile Iron	ASTM A536 70-50-5
12	Cover	Ductile Iron	ASTM A536 70-50-5
13	Cover O-Ring	Buna N	-----
14	Stem Nut	Bronze	ASTM B763 C99500
15	Wedge	C.I. EPDM Coated	ASTM A126 Class B
16	Body - all types	Ductile Iron	ASTM A536 70-50-5
17	Pipe Plug 1/2": 2 1/2"-4" --3/4": 6-12"	Galvanized Steel	-----

PIPE PLUG STANDARD ON FLANGE & GROOVE VALVES @ POSITION "A"

Updated 05/11/11



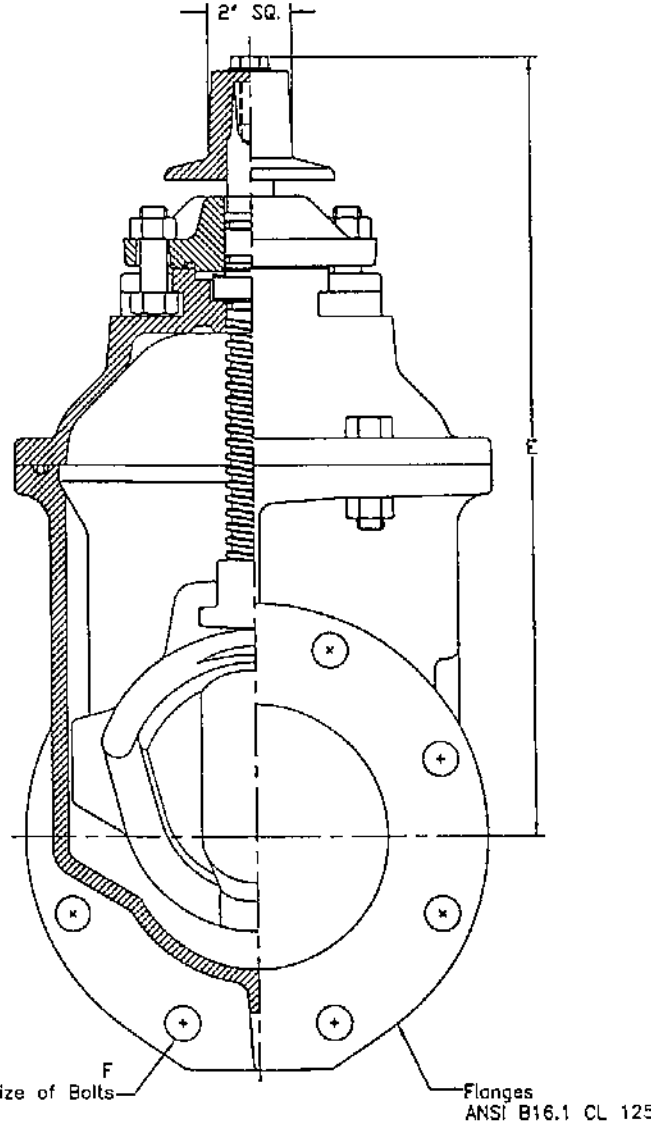
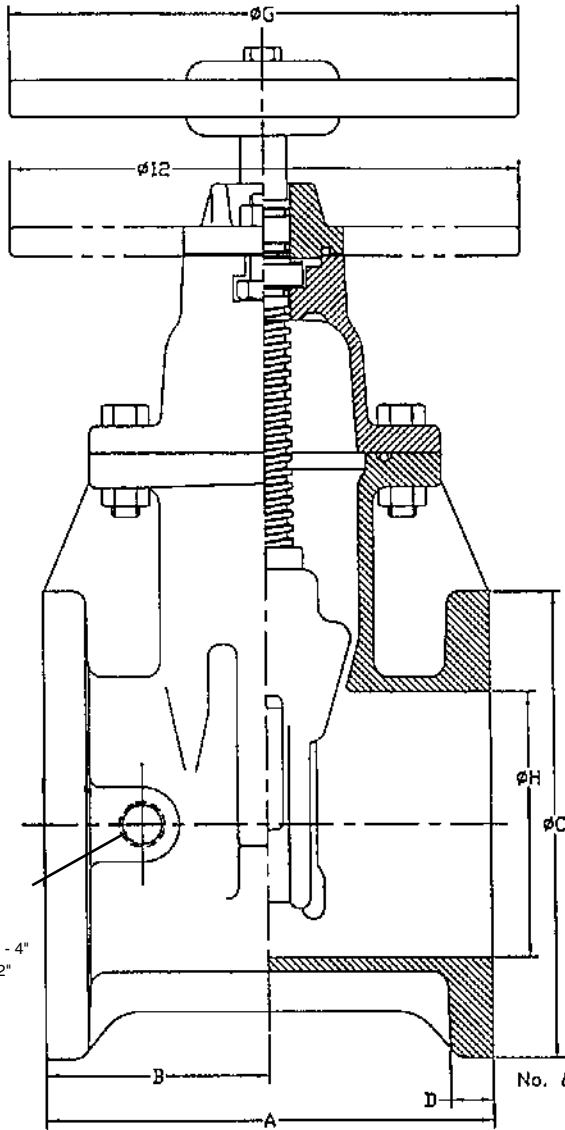
Complies with applicable requirements of AWWA C515

**2" - 12" R/S VALVE NRS FLANGED ENDS
GENERAL DIMENSIONS**

KENNEDY VALVE MODEL KS-RW

7561ASS
7561ANSS
7701ASS

W/HANDWHEEL
W/NUT
W/POST PLATE (3-12")



Standard
Tap Sizes
1/2" NPT - 2 1/2" - 4"
3/4" NPT - 6" - 12"

* Face to face dimensions (inch) conform to ASME B16.10

ALL FLANGE VALVES ARE TAPPED & PLUGGED @ POSITION "A"

VALVE SIZE		* A		B		C		D		E		F		G		H		
inch	mm	inch	mm	inch	mm	inch	mm	inch	mm	inch	mm	#	inch	mm	inch	mm	inch	mm
2	50	7	178	3 1/2	89	6	150	5/8	16	10 7/8	276	4	5/8	16	7 1/4	184	2	50
2 1/2	60	7 1/2	191	3 3/4	95	7	180	11/16	17	11 3/8	289	4	5/8	16	7 1/4	184	2 1/2	60
3	80	8	203	4	102	7 1/2	190	3/4	19	12 3/8	314	4	5/8	16	10	254	3	80
4	100	9	229	4 1/2	114	9	230	15/16	24	14 3/4	375	8	5/8	16	10	254	4 1/4	110
6	150	10 1/2	267	5 1/4	133	11	280	1	25	19	483	8	3/4	19	12	305	6 1/4	160
8	200	11 1/2	292	5 3/4	146	13 1/2	340	1 1/8	29	22 1/2	572	8	3/4	19	14	356	8 1/4	210
10	250	13	330	6 1/2	165	16	410	1 3/16	30	26 1/2	673	12	7/8	22	18	457	10 1/4	260
12	300	14	356	7	178	19	480	1 1/4	32	30	762	12	7/8	22	18	457	12 1/4	310

Updated 05/11/11



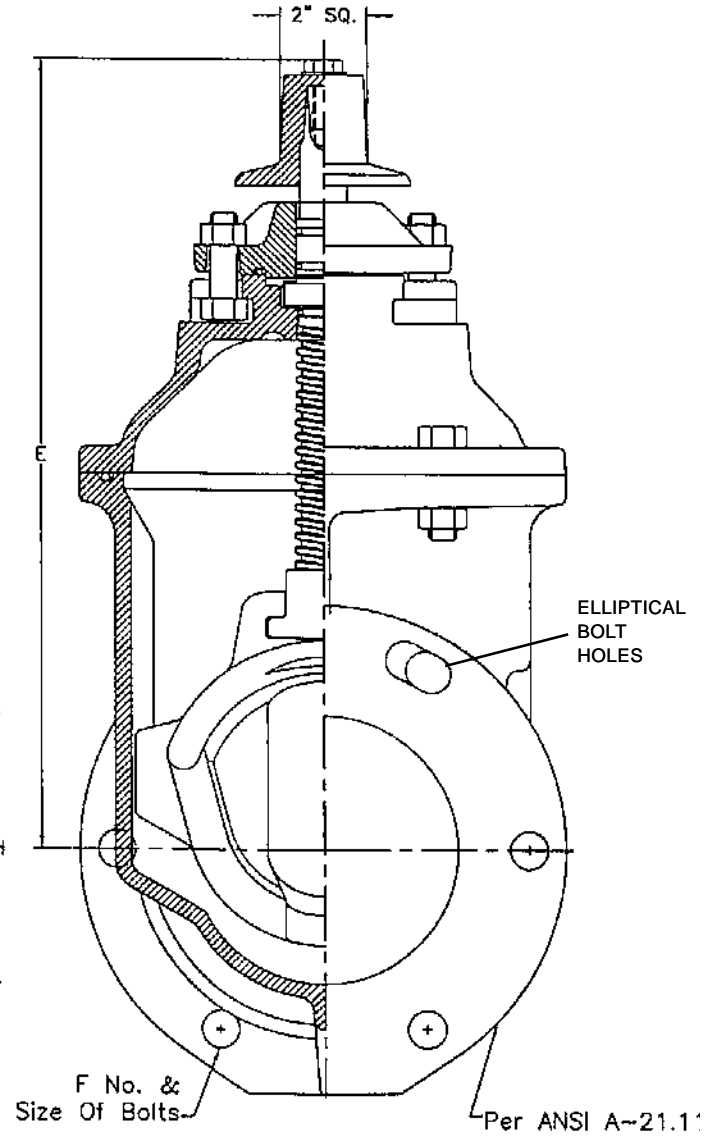
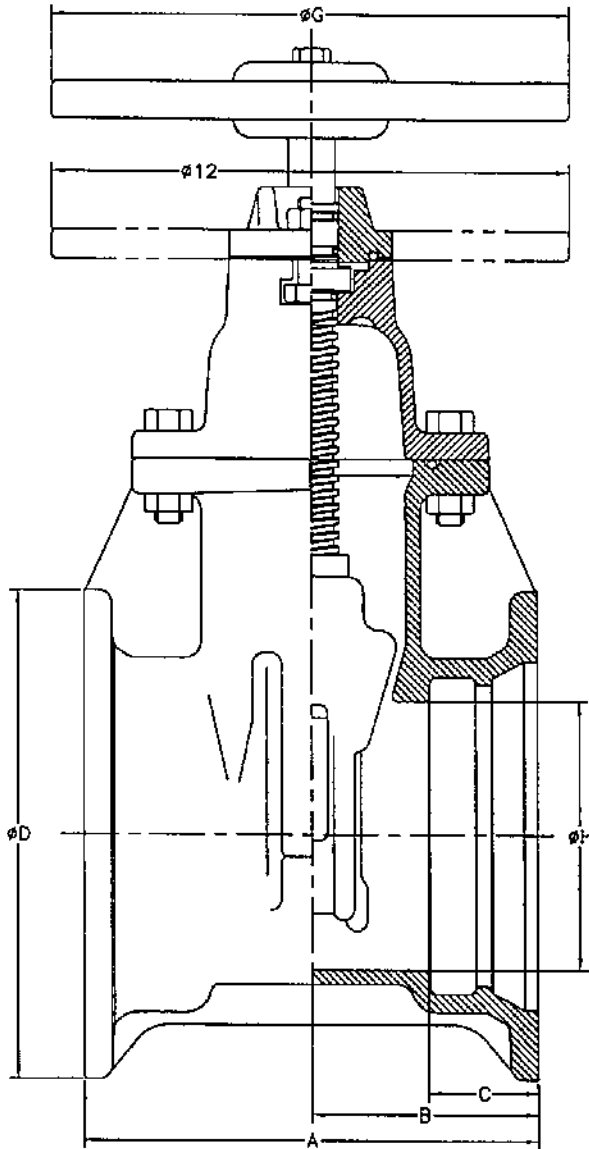
**2"-12" R/S VALVE MECHANICAL
JOINT ENDS
GENERAL DIMENSIONS**

KENNEDY VALVE MODEL KS-RW

Complies with applicable requirements of AWWA C515

7571SS
7071SS

**STANDARD
W/POST PLATE (3-12")**



ELLIPTICAL BOLT HOLE DESIGN ELIMINATES THE NEED FOR ANTI-ROTATIONAL BOLTS

VALVE SIZE	A	B	C	D	E	F	G	H
2	8 1/4	4 1/8	2 1/2	4 1/2	10 7/8	2 5/8	7 1/4	2
2 1/2	—	—	—	—	—	—	—	—
3	8 1/2	4 1/4	2 1/2	7 3/4	12 3/8	4 5/8	10	3
4	9 1/2	4 3/4	2 1/2	9 1/8	14 3/4	4 3/4	10	4 1/4
6	10 1/2	5 1/4	2 1/2	11 1/8	19	6 3/4	12	6 1/4
8	13 1/8	6 9/16	2 1/2	13 3/4	22 1/2	6 3/4	14	8 1/4
10	15 1/2	7 3/4	2 1/2	15 3/4	26 1/2	8 3/4	18	10 1/4
12	16	8	2 5/8	18	30	8 3/4	18	12 1/4



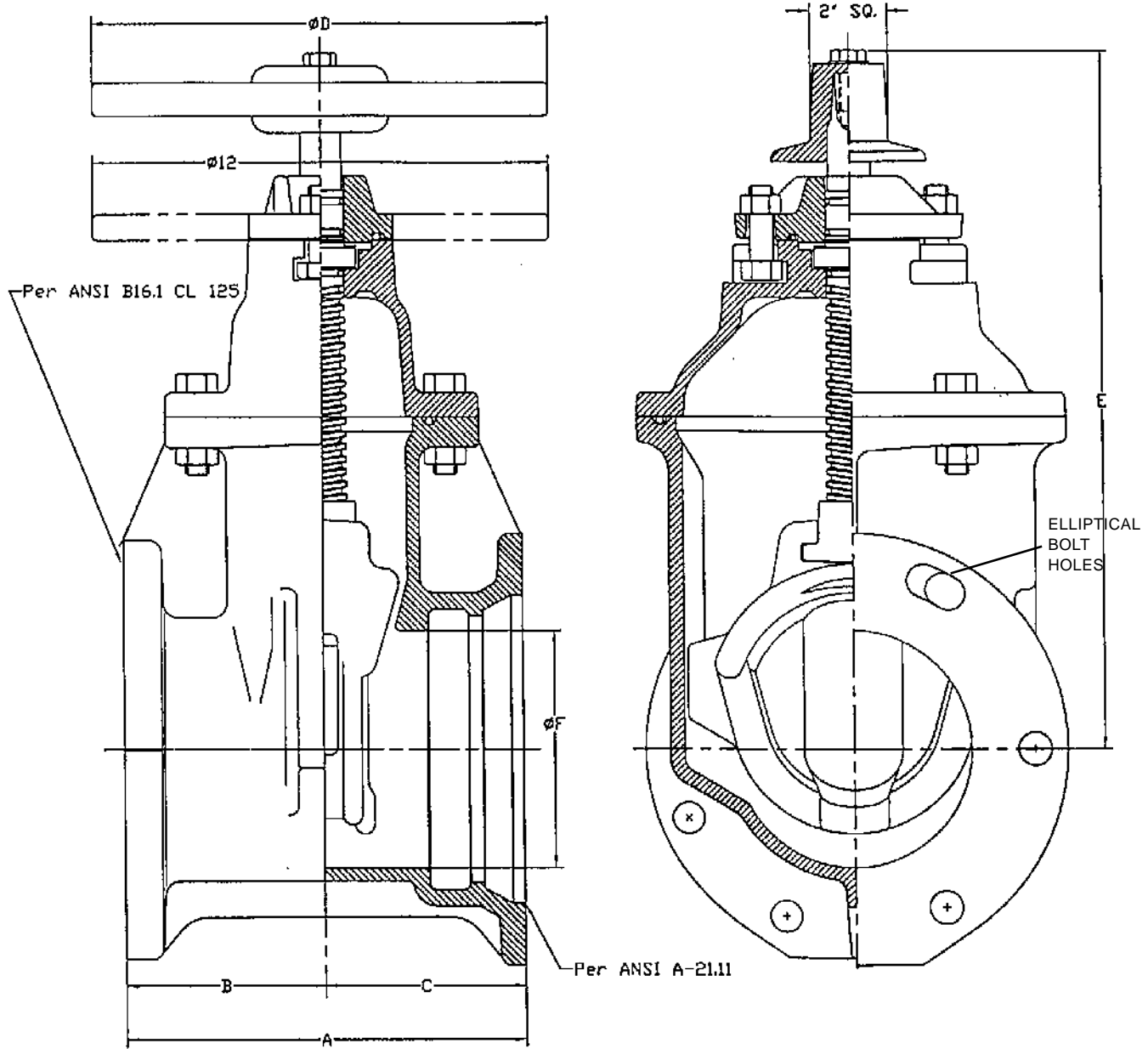
**3"-12" R/S VALVE NRS FLANGED X
MECHANICAL JOINT ENDS
GENERAL DIMENSIONS**

KENNEDY VALVE MODEL KS-RW

Complies with applicable requirements of AWWA C515

7572SS
7702SS

STANDARD
W/POST PLATE



ELLIPTICAL BOLT HOLE DESIGN ELIMINATES THE NEED FOR ANTI-ROTATIONAL BOLTS

VALVE SIZE	A	B	C	D	E	F
3	8 1/4	4	4 1/4	10	12 3/8	3
4	9 1/4	4 1/2	4 3/4	10	14 3/4	4 1/4
6	10 1/2	5 1/4	5 1/4	12	19	6 1/4
8	12 5/16	5 3/4	6 9/16	14	22 1/2	8 1/4
10	14 1/4	6 1/2	7 3/4	18	26 1/2	10 1/4
12	15	7	8	18	30	12 1/4



**4"-12" R/S VALVE TYTON ENDS
NRS GENERAL DIMENSIONS**

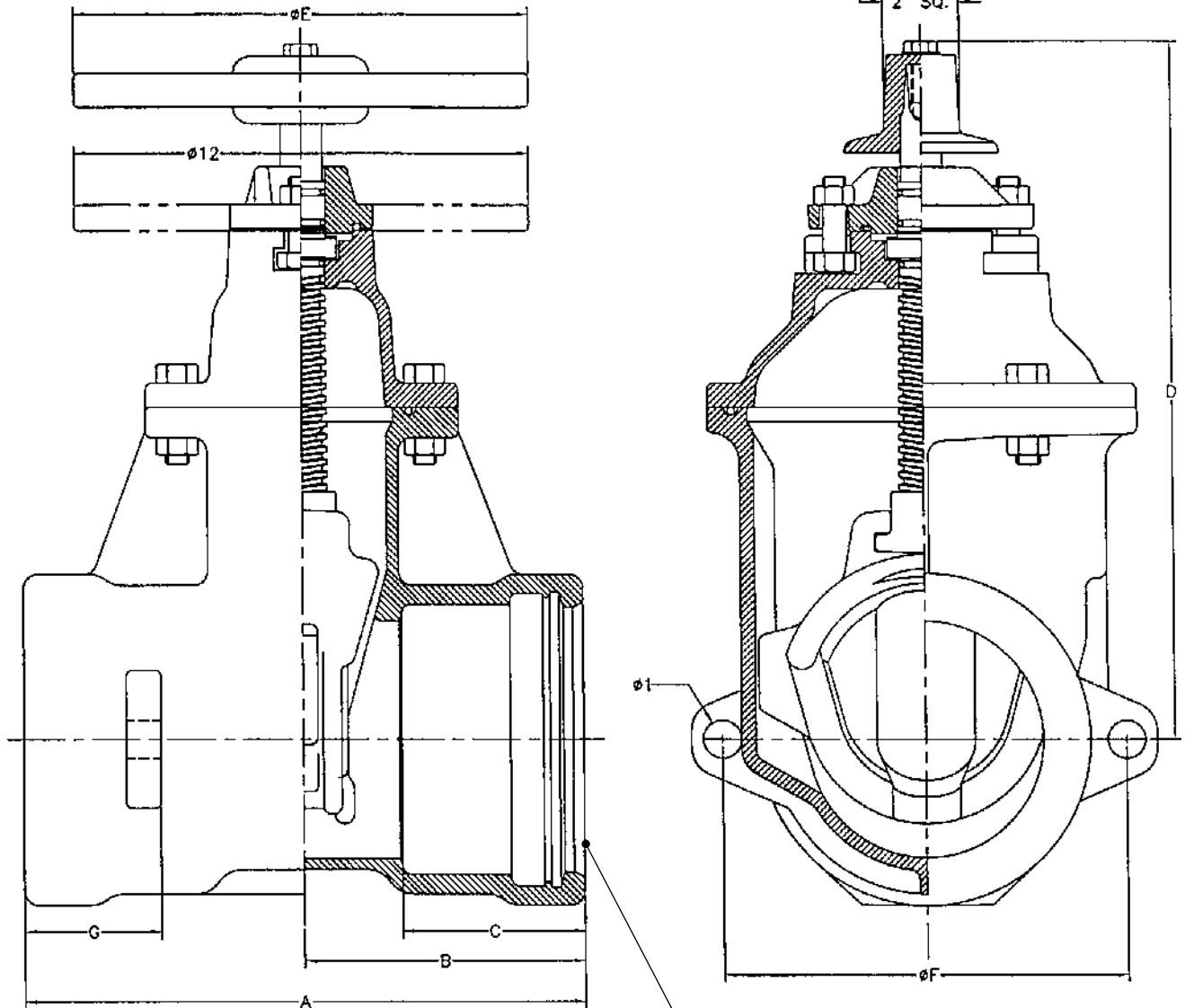
KENNEDY VALVE MODEL KS-RW

Complies with AWWA C515

7901SS
7901PSS

STANDARD
W/POST PLATE

TYTON (PUSH-ON) FOR DUCTILE IRON PIPE



per ANSI/AWWA C111/A21.11

VALVE SIZE	A	B	C	D	E	F	G
4	13 1/4	6 5/8	4.34	14 3/4	10	8	3 5/8
6	14 3/4	7 3/8	4.75	19	12	10.68	3 5/8
8	17 1/8	8 9/16	5.70	22 1/2	14	12.56	4 5/8
10	19 3/8	9 11/16	6.19	26 1/2	18	15.44	4 7/8
12	20 7/8	10 7/16	6.19	30	18	17.94	4 7/8



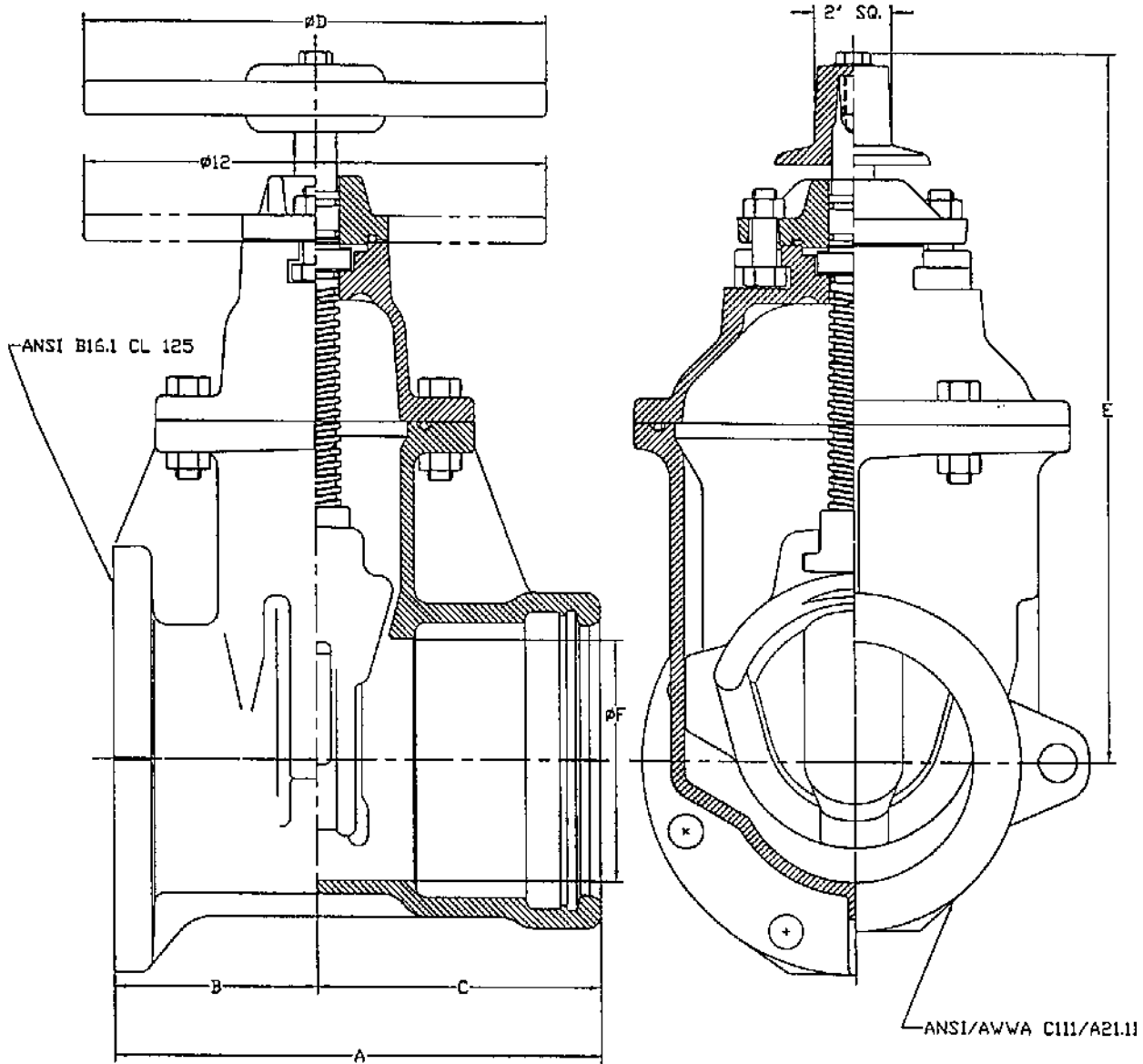
**4"-12" R/S VALVE NRS FLANGEx
TYTON ENDS GENERAL DIMENSIONS**

KENNEDY VALVE MODEL KS-RW

Valves comply with AWWA C515

7902SS
7902PSS

STANDARD
W/POST PLATE



VALVE SIZE	A	B	C	D	E	F
3	8 1/4	4	4 1/4	10	12 3/8	3
4	11 1/8	4 1/2	6 5/8	10	14 3/4	4 1/4
6	12 5/8	5 1/4	7 3/8	12	19	8 1/4
8	14 5/16	5 3/4	8 9/16	14	22 1/2	8 1/4
10	16 3/16	6 1/2	9 11/16	18	26 1/2	10 1/4
12	17 7/16	7	10 7/16	18	30	12 1/4



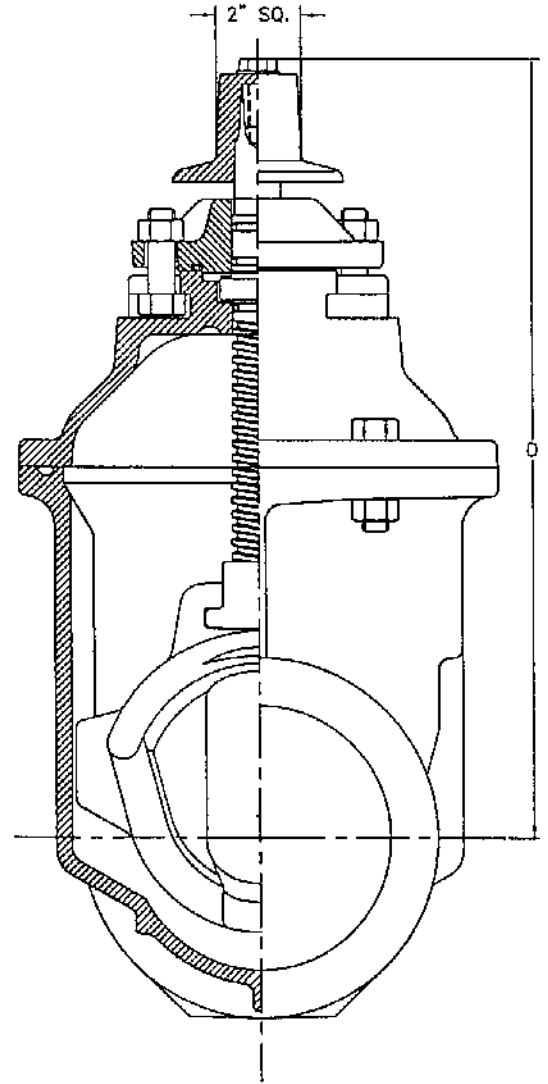
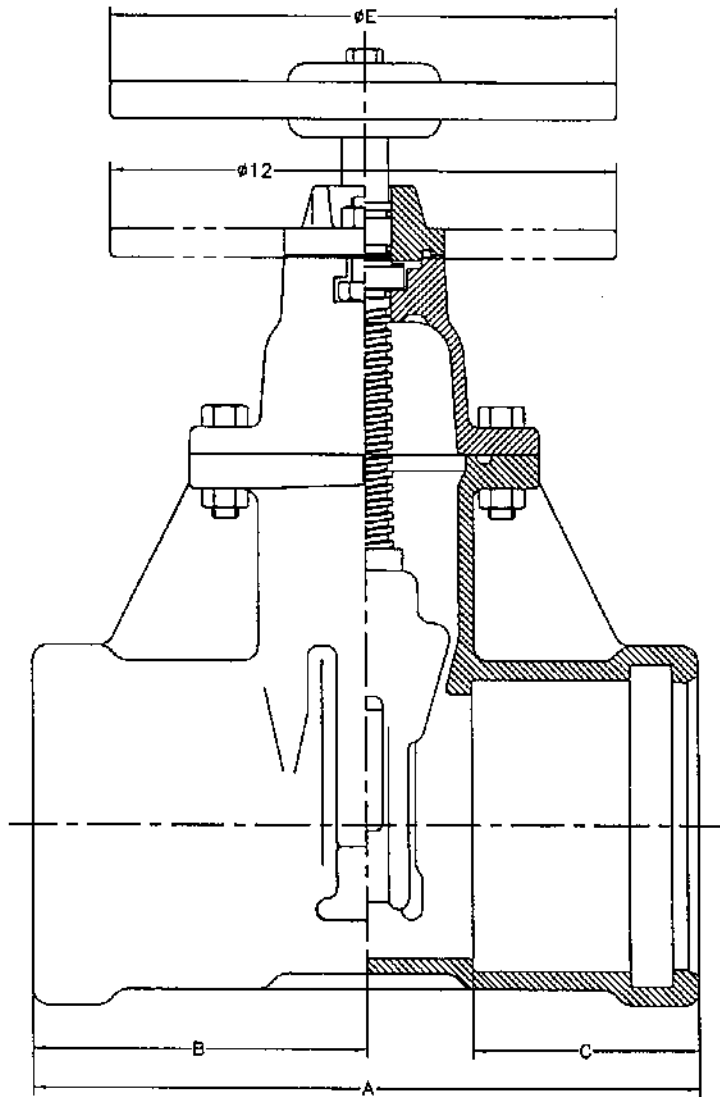
Complies with applicable requirements of AWWA C515

**2"-12" R/S VALVE PVC ENDS
NRS GENERAL DIMENSIONS**

KENNEDY VALVE MODEL KS-RW

**7597SS
7597PSS**

**STANDARD
W/POST PLATE (3-8")**



VALVE SIZE	A	B	C	D	E
2	10	5	3 1/2	10 7/8	7 1/4
2 1/2	10 3/4	5 3/8	3 3/4	11 3/8	7 1/4
3	11 5/8	5 13/16	4 1/6	12 3/8	10
4	13 1/2	6 3/4	4 1/2	14 3/4	10
6	15 3/4	7 7/8	5 3/8	19	12
8	16 1/4	8 1/8	5 3/8	22 1/2	14



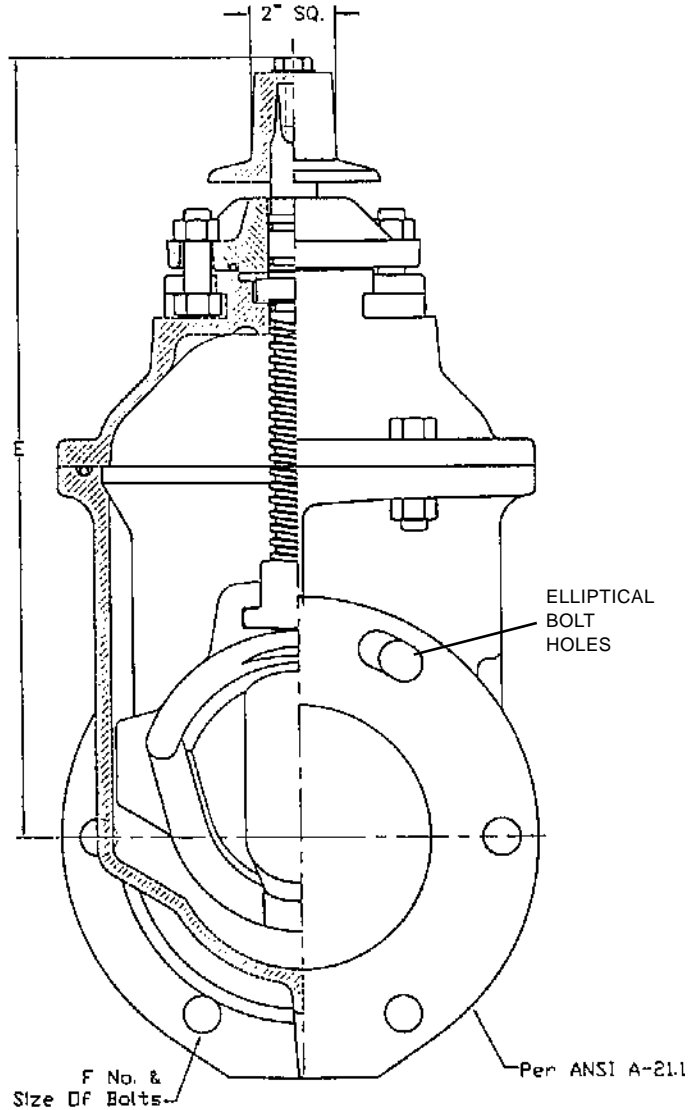
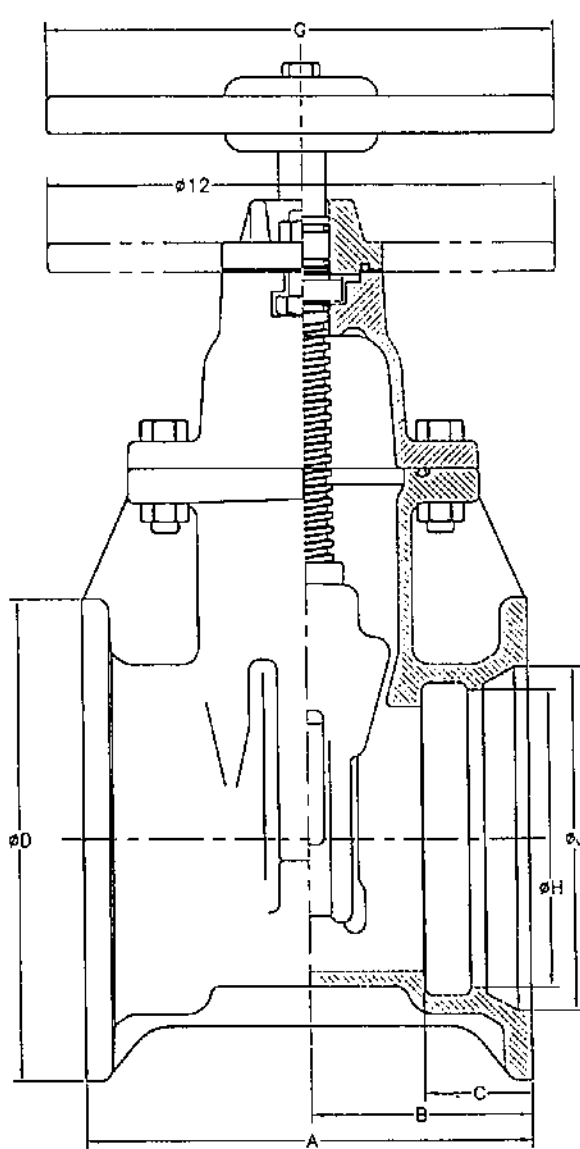
2"-12" R/S VALVE MECHANICAL CUT JOINT ENDS GENERAL DIMENSIONS

KENNEDY VALVE MODEL KS-RW

Complies with applicable requirements of AWWA C515

7576SS
7576PSS

STANDARD
W/POST PLATE



VALVE SIZE	A	B	C	D	E	F	G	H	J
4	9 1/2	4 3/4	2 1/2	9 1/8	14 3/4	4 3/4	10	5.10	6.20
6	10 1/2	5 1/4	2 1/2	11 1/8	19	6 3/4	12	7.20	8.30
8	13 1/8	6 9/16	2 1/2	13 3/4	22 1/2	6 3/4	14	9.40	10.50
10	15 1/2	7 3/4	2 1/2	15 3/4	26 1/2	8 3/4	18	11.50	12.62
12	16	8	2 5/8	18	30	8 3/4	18	13.60	14.74

ELLIPTICAL BOLT HOLE DESIGN ELIMINATES THE NEED FOR ANTI-ROTATIONAL BOLTS

Updated 05/11/11



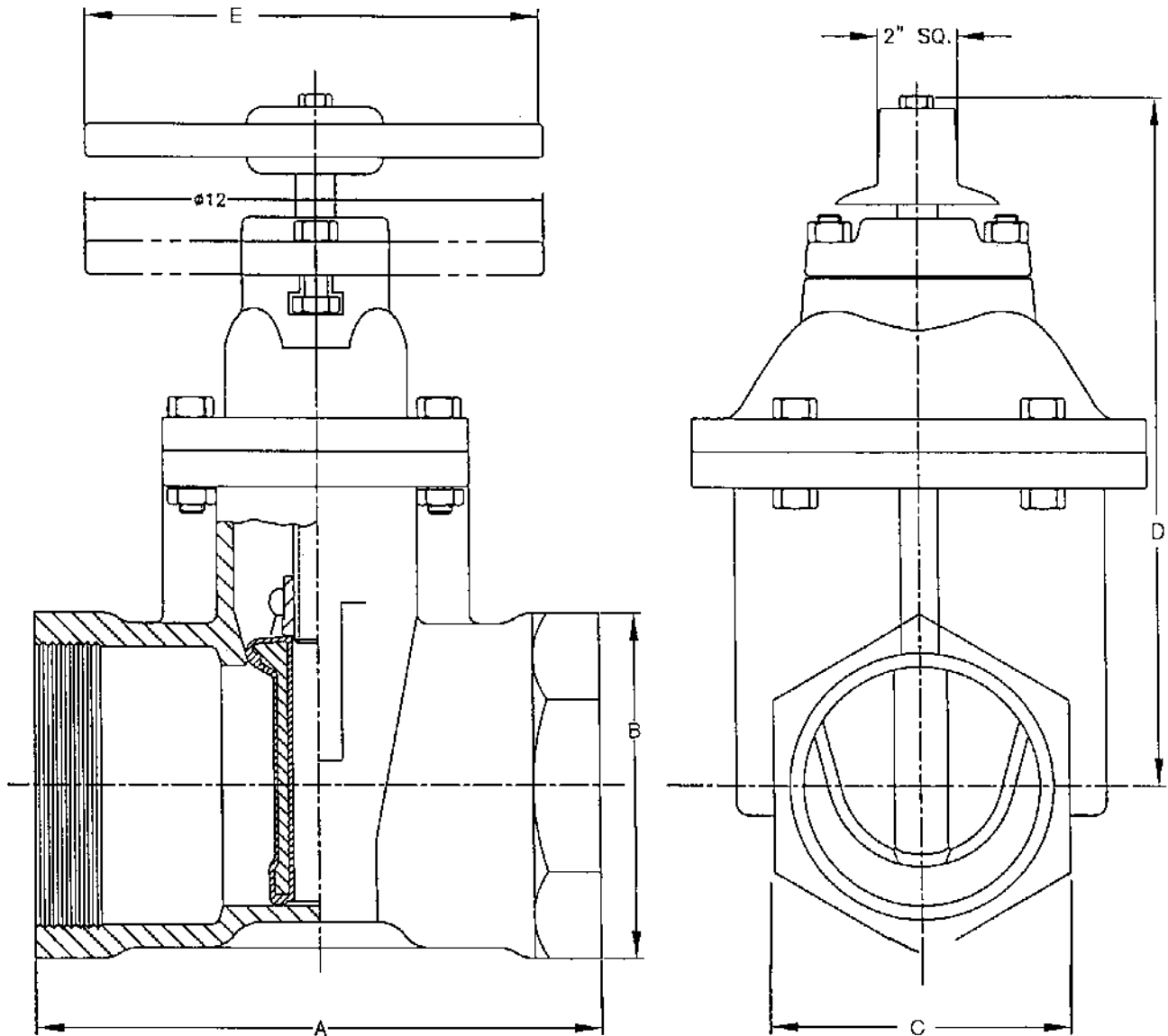
**2"-3" R/S VALVE THREADED ENDS
NRS GENERAL DIMENSIONS**

KENNEDY VALVE MODEL KS-RW

Complies with applicable requirements of AWWA C515

**7057SS
7057WSS**

**2" NUT
HANDWHEEL**



VALVE SIZE	A	B	C	D	E
2	5 1/4	4 1/8	3 9/16	10 7/8	7 1/4
2 1/2	7	5 3/16	4 1/2	11 3/8	7 1/4
3	7 1/8	5 5/8	4 7/8	12 3/8	10



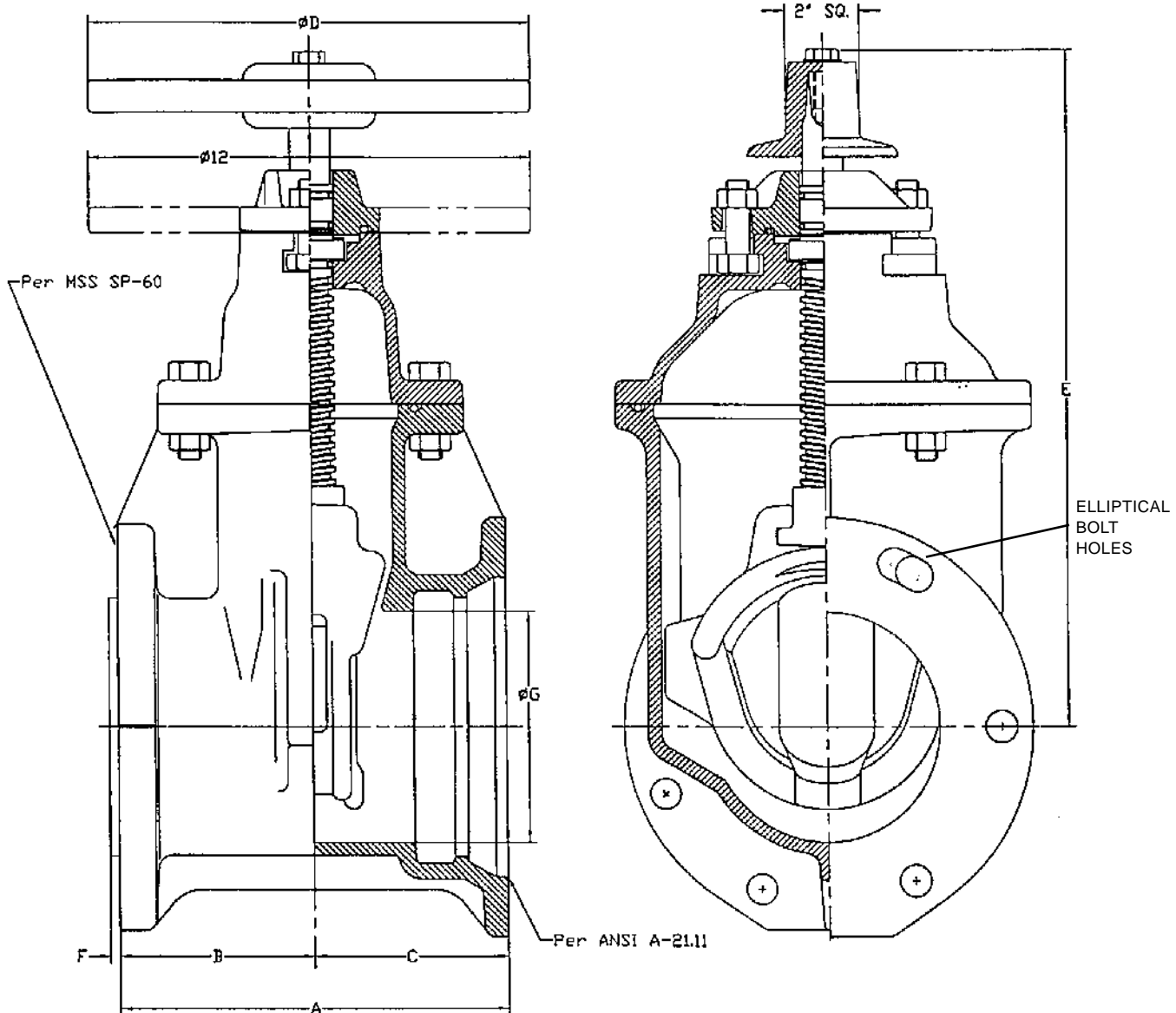
**3" 12" R/S VALVE NRS TAP x
MECHANICAL JOINT ENDS
GENERAL DIMENSIONS**

KENNEDY VALVE MODEL KS-RW

Valves comply with AWWA C515

7950SS
7950PSS

STANDARD
W/POST PLATE



ELLIPTICAL BOLT HOLE DESIGN ELIMINATES THE NEED FOR ANTI-ROTATIONAL BOLTS

VALVE SIZE	A	B	C	D	E	F	G
4	9 1/4	4 1/2	4 3/4	10	14 3/4	3/16	4 1/4
6	10 1/2	5 1/4	5 1/4	12	19	1/4	6 1/4
8	13 1/4	5 3/4	7 1/2	14	22 1/2	1/4	8 1/4
10	14 1/4	6 1/2	7 3/4	18	26 1/2	1/4	10 1/4
12	15	7	8	18	30	1/4	12 1/4

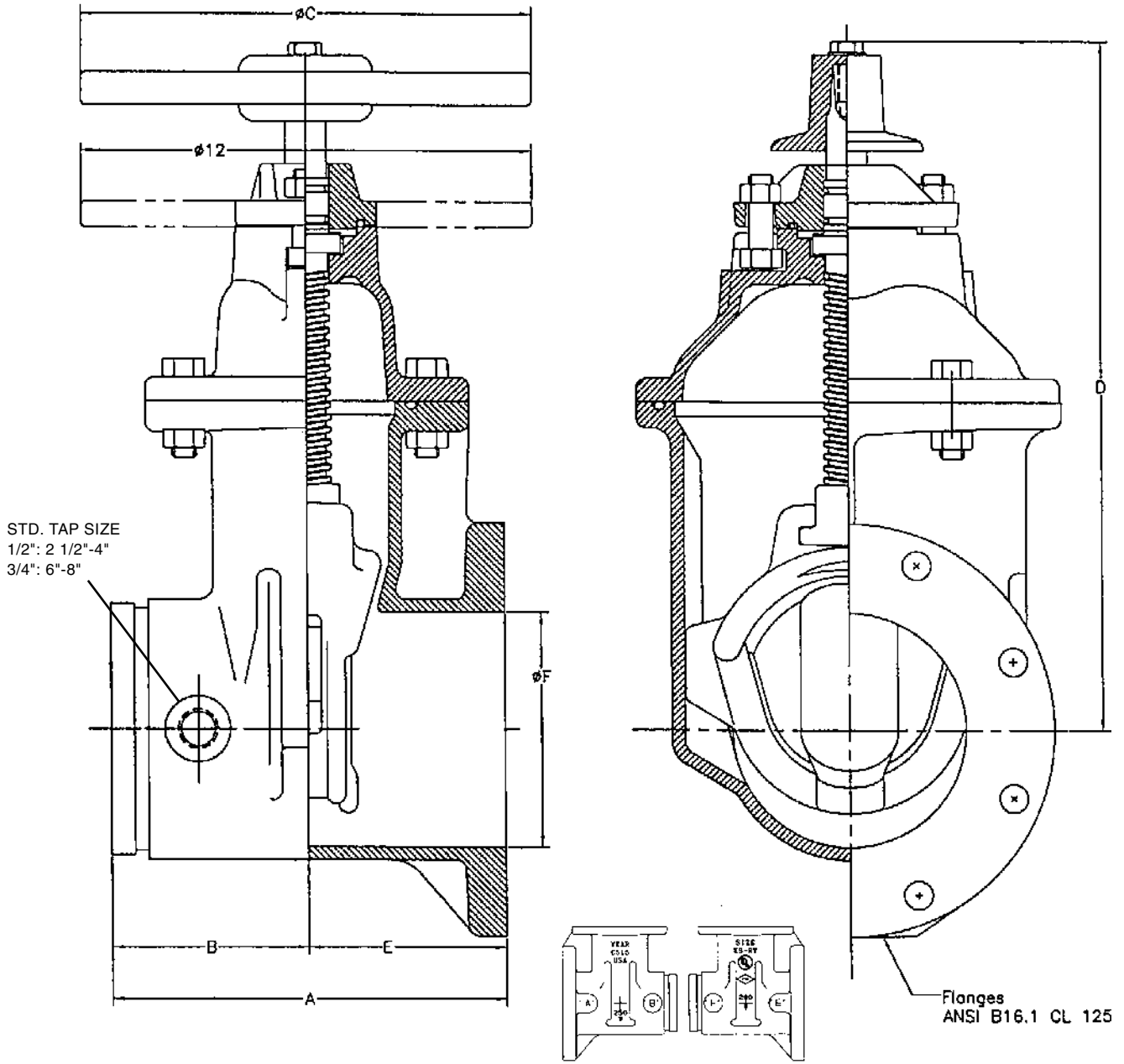


**2 1/2"-10" R/S VALVE GROOVE x FLANGE
NRS GENERAL DIMENSIONS**

KENNEDY VALVE MODEL KS-RW

Complies with applicable requirements of AWWA C515

**7592ABF
7592PABF**



BOSS LOCATION

GRV X FLG VALVES TAPPED & PLUGGED @ POSITION "A", "B", "F"

VALVE SIZE	A	B	C	D	E	F
2 1/2	7 1/2	3 3/4	7 1/4	11 3/8	3 3/4	2 1/2
3	8	4	10	12 3/8	4	3
4	9	4 1/2	10	14 3/4	4 1/2	4 1/4
6	10 1/2	5 1/4	12	19	5 1/4	6 1/4
8	11 1/2	5 3/4	14	22 1/2	5 3/4	8 1/4
10	13	6 1/2	18	26 1/2	6 1/2	10 1/4

Updated 05/11/11

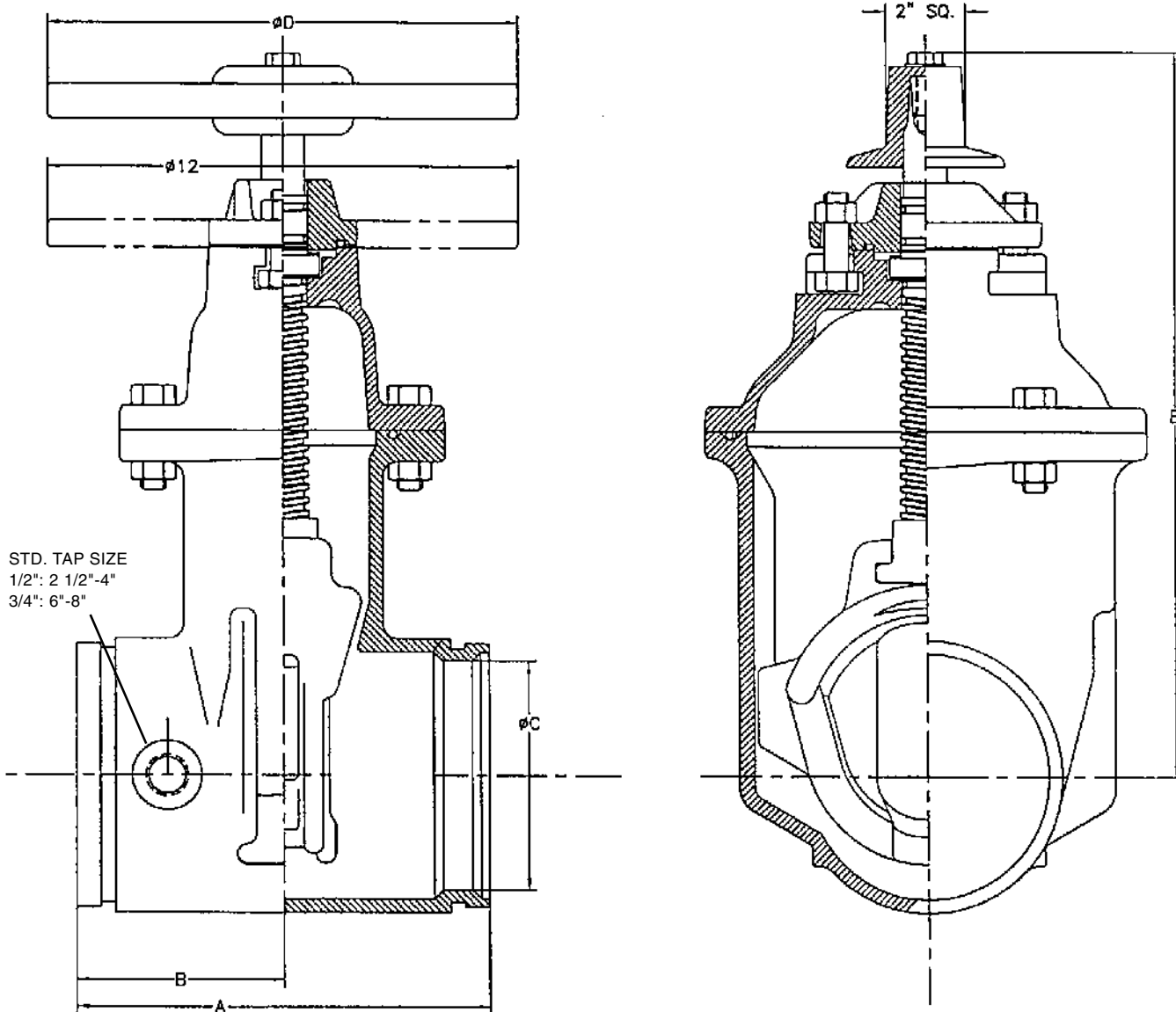


**2 1/2"-10" R/S VALVE GROOVE ENDS
NRS GENERAL DIMENSIONS**

KENNEDY VALVE MODEL KS-RW

Complies with applicable requirements of AWWA C515

**7593ABF
7593PABF**



GRV X GRV VALVES TAPPED & PLUGGED @ POSITION "A", "B", "F"

VALVE SIZE	A	B	C	D	E	F
2 1/2	7 1/2	3 3/4	7 1/4	11 3/8	3 3/4	2 1/2
3	8	4	10	12 3/8	4	3
4	9	4 1/2	10	14 3/4	4 1/2	4 1/4
6	10 1/2	5 1/4	12	19	5 1/4	6 1/4
8	11 1/2	5 3/4	14	22 1/2	5 3/4	8 1/4
10	13	6 1/2	18	26 1/2	6 1/2	10 1/4

Updated 05/11/11

**14" AND LARGER
RESILIENT WEDGE VALVES KS-RW**

KENNEDY VALVE

**KENNEDY VALVE AWWA Resilient Wedge Gate Valves
Meet or Exceed the Requirements of
AWWA Standard C515**

Size Range	Water Working Pressure psi	Bubble Tight Test psi	Hydrostatic Shell Test psi
AWWA 14"-24"	250	250	500
ULFM 14"-16"	200	200	400

Available in either non-rising stem or outside screw & yoke.

Available End Connections & Size Range	Figure No.
FLG End (NRS) 14"-24"	7561SS
M.J. 14"-24"	7571SS
FLG & M.J. 14"-24"	7572SS
FLG End (OS&Y) 14"-24"	7566SS
M.J. for Tapping 14"-24"	7950SS
Tyton for D.I. & C900 PVC 16"	7901SS

Note: 18" and larger valves require gearing

Accessories

Indicator Posts	2" sq. Operating Nuts
Enclosed Gearing (14"-24")	Handwheels
"T" Handles	Extension Stems
Stem Guides	Floor Boxes
Electric Motor Actuators	Chain Wheels

Floorstands (non-rising stem)

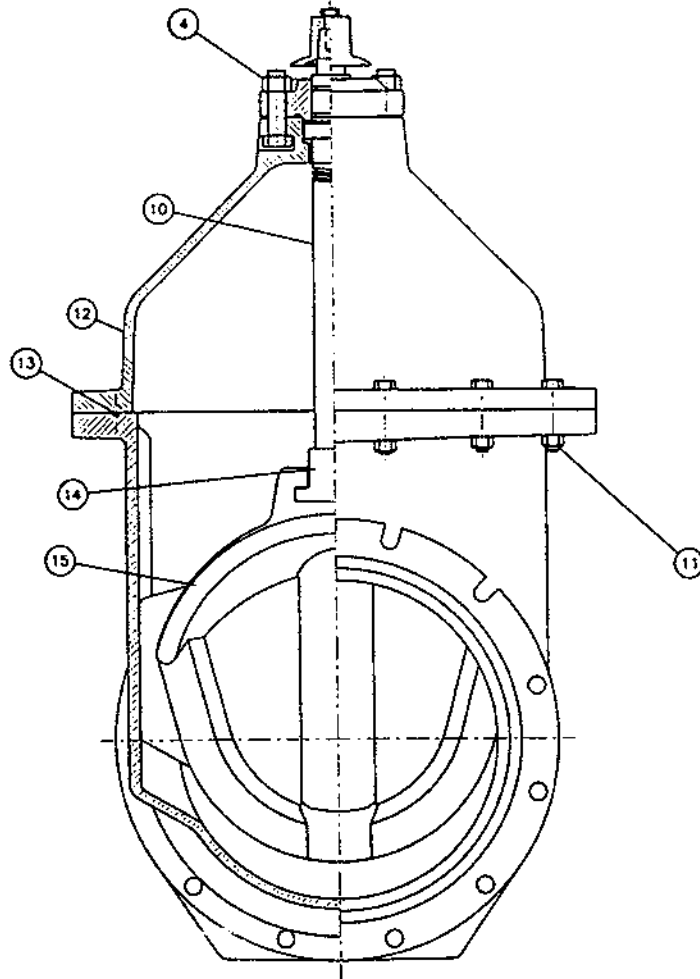
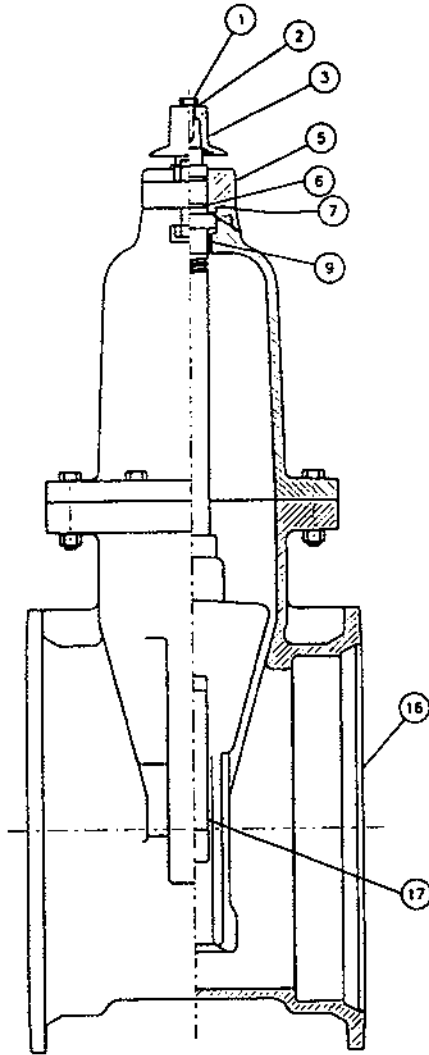
MODEL KS-RW/2638 AWWA C515 REDUCED WALL DUCTILE IRON

Complies with applicable requirements of AWWA C515

**14"-24" R/W VALVE
NRS ASSEMBLY MATERIAL LIST**

KENNEDY VALVE

MODEL KS-RW/2638



ITEM	DESCRIPTION	MATERIAL	ASTM SPEC.
1	HEX HEAD BOLTS	STAINLESS STEEL	ASTM F593-304
2	FLAT WASHERS	STAINLESS STEEL	ASTM F593-304
3	OPERATING NUT OR HANDWHEEL	CAST IRON	ASTM A126 CLASS B
4	HEX HEAD BOLTS & NUTS	STAINLESS STEEL	ASTM F593-304
5	FOLLOWER PLATE	DUCTILE IRON	ASTM A536 GR.64-45-12
6	STEM O-RING	BUNA - N	-----
7	FOLLOWER PLATE O-RING	BUNA - N	-----
9	BONNET BUSHING	BRONZE	ASTM B584 CDA 836
10	STEM	BRONZE	ASTM B584 CDA 867
11	HEX HEAD BOLTS & NUTS	STAINLESS STEEL	ASTM F593-304
12	COVER	DUCTILE IRON	ASTM A 536 65-45-12
13	COVER O-RING	BUNA - N	-----
14	STEM NUT	BRONZE	ASTM B584 CDA 836
15	WEDGE	DUCTILE IRON	ASTM B536 65-45-12 EPDM
16	BODY - ALL TYPES	DUCTILE IRON	ASTM A536 65-45-12
17	WEDGE PROTECTOR CAP-18" THRU 24"	DELTRIN	-----

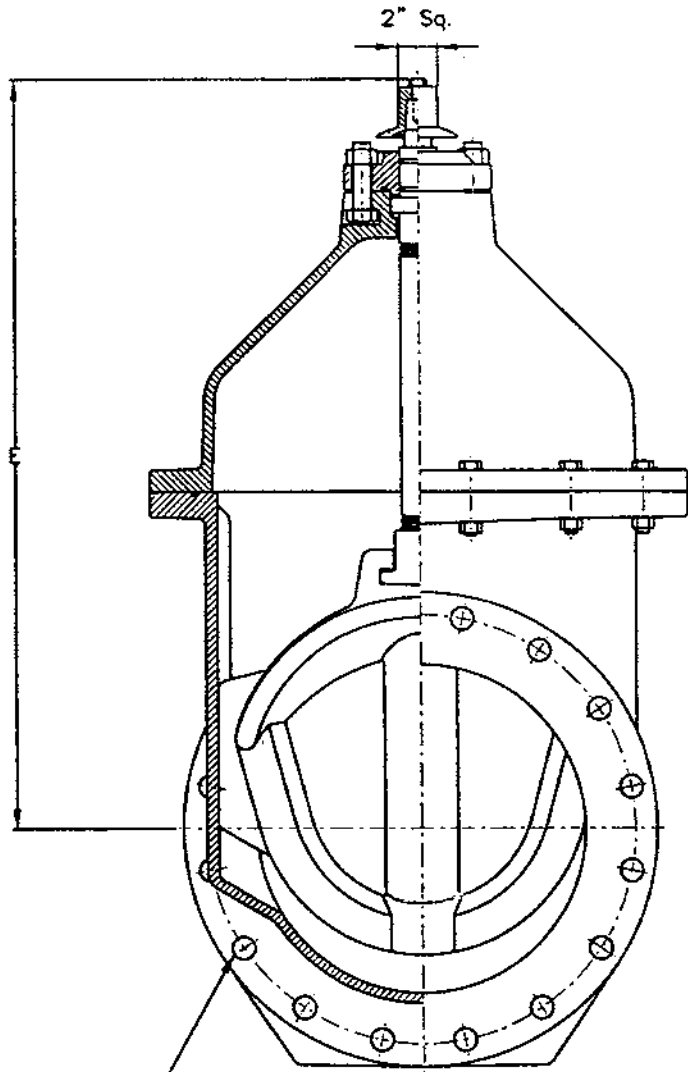
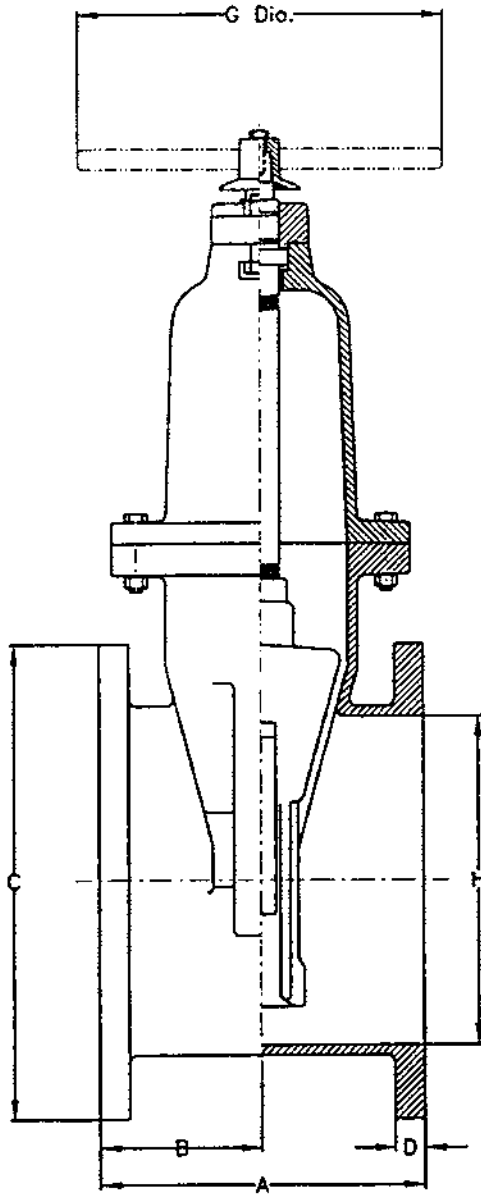
Complies with applicable requirements of AWWA C515

**14"-16" R/W VALVE FLANGED ENDS
GENERAL DIMENSION**

KENNEDY VALVE

MODEL KS-RW/2638

7561SS



F No. & size of bolts
Drilling per ANSI B16.1 class 125

ALL FLANGE VALVES ARE TAPPED & PLUGGED @ POSITION "A"

VALVE SIZE		A		B		C		D		E		F		G		H		
inch	mm	inch	mm	inch	mm	inch	mm	inch	mm	inch	mm	#	inch	mm	inch	mm	inch	mm
14	360	15	381	7 1/2	191	21	530	1 3/8	30	37 3/4	959	12	1	25.4	26	660	14 1/4	360
16	410	16	406	8	203	23.5	600	1 7/16	37	37 3/4	959	16	1	25.4	26	660	16 1/4	410

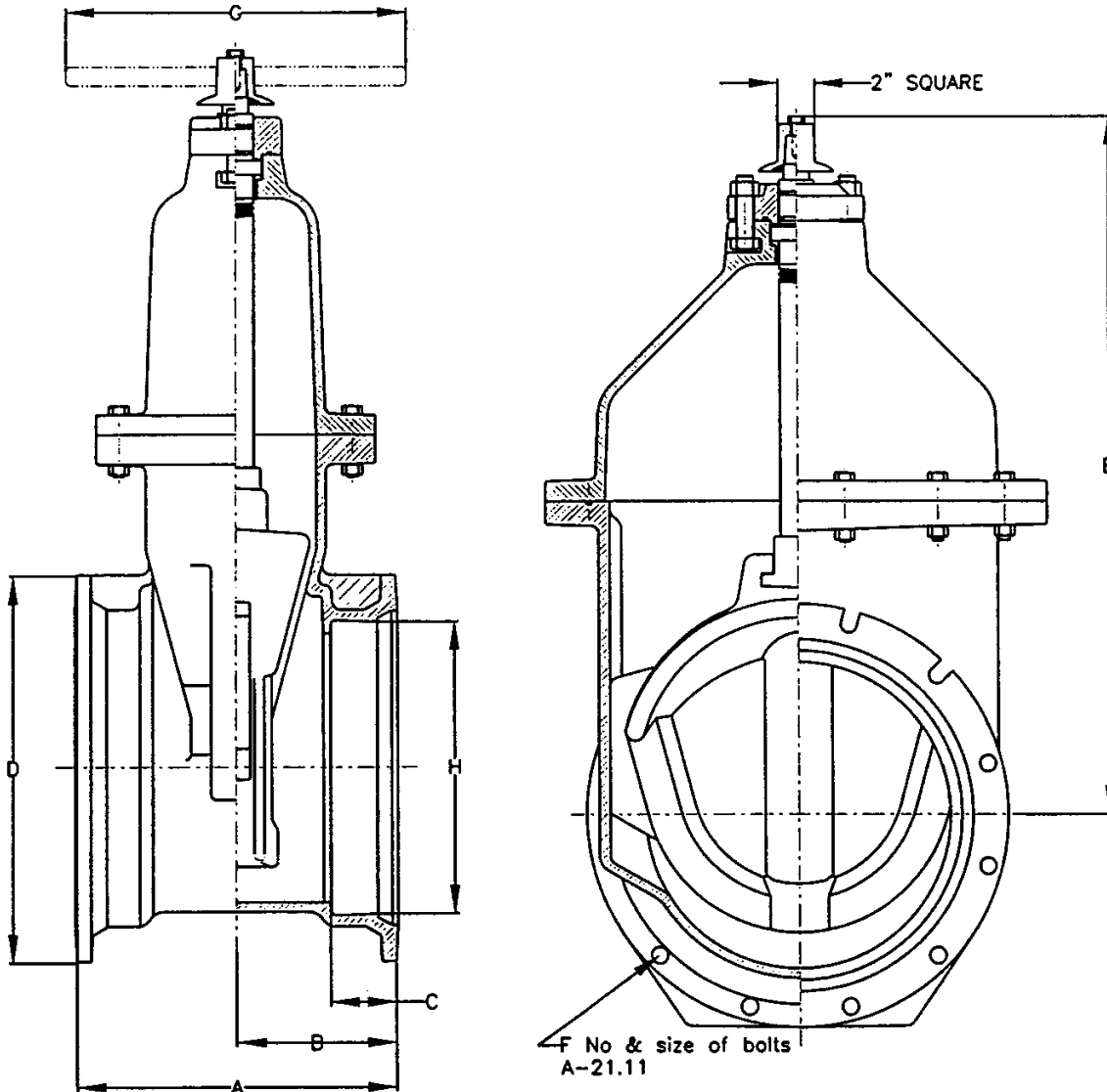
Complies with applicable requirements of AWWA C515

**14"-16" R/W VALVE MJ ENDS
GENERAL DIMENSION**

KENNEDY VALVE

MODEL KS-RW/2638

7571SS



VALVE SIZE	A	B	C	D	E	F	G	H
14	17	8.5	3.5	20.25	37.75	10 3/4	18	14 1/4
16	17	8.5	3.5	22.5	37.75	12 3/4	18	16 1/4

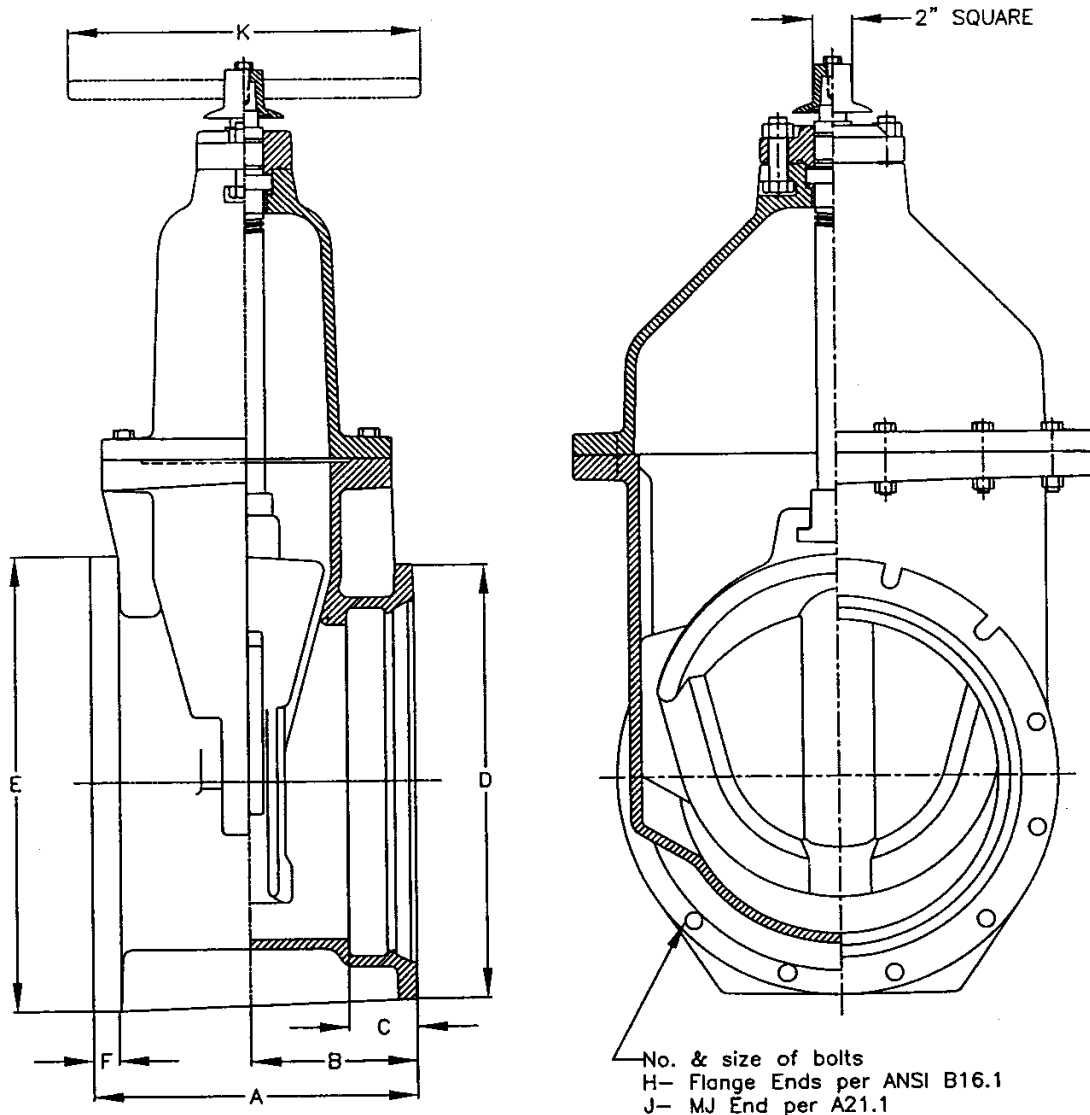
Complies with applicable requirements of AWWA C515

**14"-16" R/W VALVE FLANGE X MJ ENDS
GENERAL DIMENSION**

KENNEDY VALVE

MODEL KS-RW/2638

7572SS



VALVE SIZE	A	B	C	D	E	F	G	H	J	K
14	17	8.5	3.5	20.25	21	1.38	37.75	12-1	10-3/4	18
16	16.5	8.5	3.5	22.5	23.5	1.50	37.75	16-1	12-3/4	18

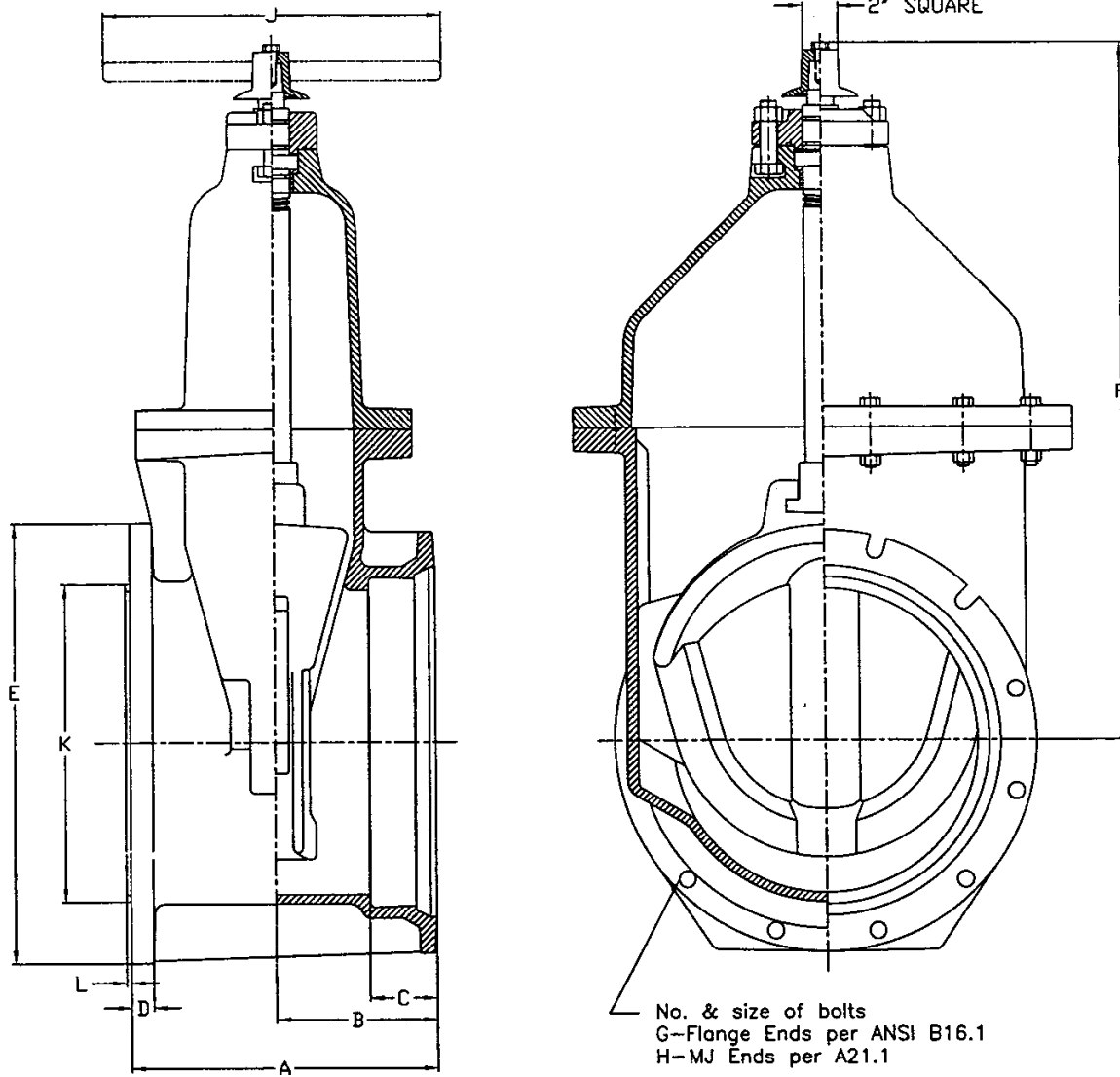
Complies with applicable requirements of AWWA C515

14"-16" R/W VALVE MJ TAPPING GENERAL DIMENSION

KENNEDY VALVE

MODEL KS-RW/2638

7950SS



VALVE SIZE	A	B	C	D	E	F	G	H	J	K	L
14	16.75	8.5	3.5	1.18	21	37.75	21-1	10-3/4	18	14 15/16	1/4
16	16.25	8.5	3.5	1.25	23.5	37.75	16-1	12-3/4	18	16 15/16	1/4

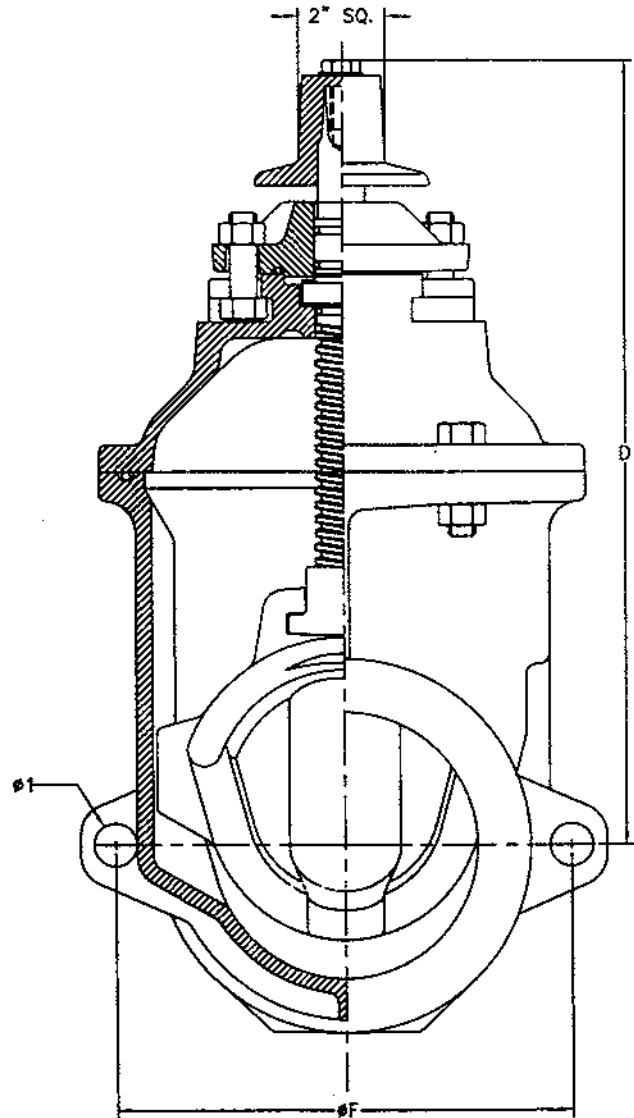
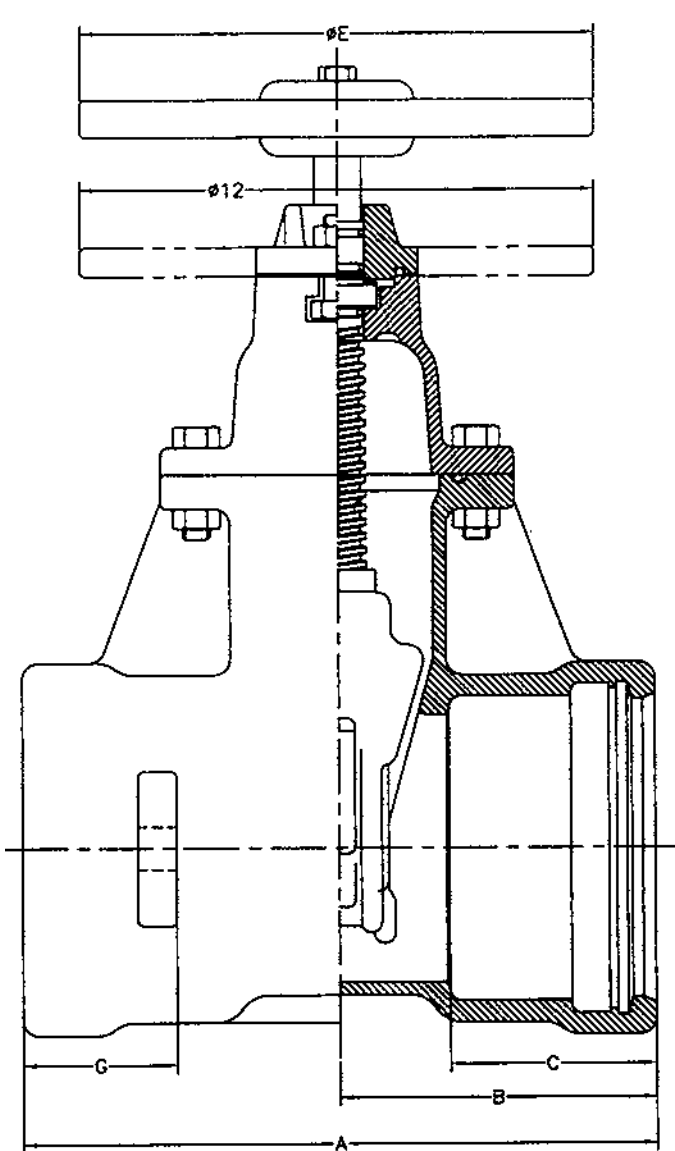
Complies with
AWWA C515

**16" R/W VALVE TYTON ENDS
NRS GENERAL DIMENSIONS**

KENNEDY VALVE

MODEL KS-RW/2638

7901SS



VALVE SIZE	A	B	C	D	E	F	G
16	20 1/2	10 1/4	5	50	26	22.46	1 1/2